



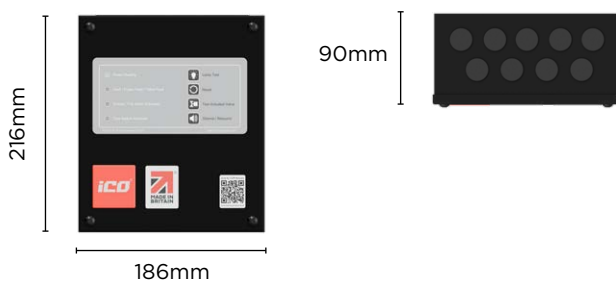
iCO® Flow Controller

Technical Datasheet

Technical Data

Part No:	iCO PU001-00
Dimensions:	186mm (W) x 216mm (H) x 90mm (D)
Mains Voltage Rating:	240V
Full load Current:	0.17A -
Standby Current:	0.06A -
Power Supply Connection:	3amp fused unswitched spur direct from the board. Run in fire rated cable
Weight:	2kg
Battery Size:	1x 2.8ah 12V
System Run Time:	10mins/30mins/Unlimited. (Selectable)
Serviceability Access:	Removable front cover with security screws
Mounting:	Surface
Operation:	Double knock linked to smoke detection
Fire Relay:	2x NO/NC volt free 30VDC 1A
Fault Relay:	1x NO/NC volt free 30VDC 1A
AUX Power Out/Priority Demand	
Valve Output:	12V 1.1A
Power Monitoring:	Battery backed up audible alarm for fault monitoring
Battery Monitoring:	Checks every 1mins if battery is detached

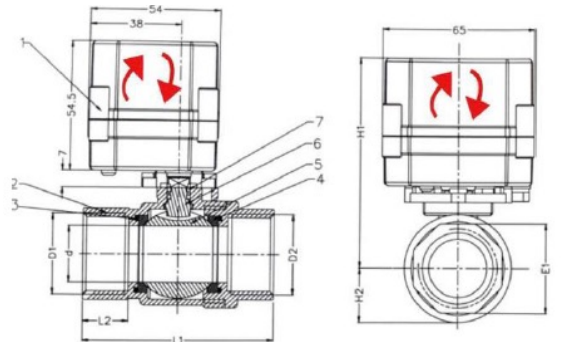
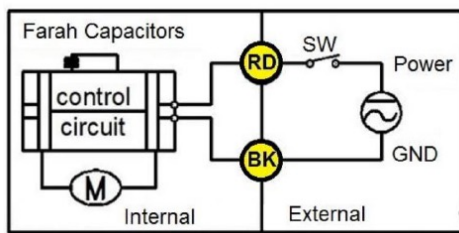
Dimensions



Technical Data - Actuated Ball Valve

1/2" - 1" BSP

Position:	Normally Open
Loss of Power Failsafe Position:	Open
Connection Options:	1/2" 15mm BSP, 3/4" 20mm BSP, 1" 25mm BSP
Operation Feed Back:	Visual Position Indicator
Maximum Pressure:	10 Bar
Minimum Pressure:	0 Bar
Voltage:	12V DC
IP Rating:	IP67
Electrical Connection:	0.5m Lead Wires
Connection to the Panel:	2 wire
Max Power Consumption Moving:	5 Watts
Max Power Holding:	0.6 Watts
Operating Time:	5 Seconds
Seals:	PTFE
Duty Cycle:	100,000
Mounting Orientation:	Any
Ambient Temperature:	4°C - 55°C

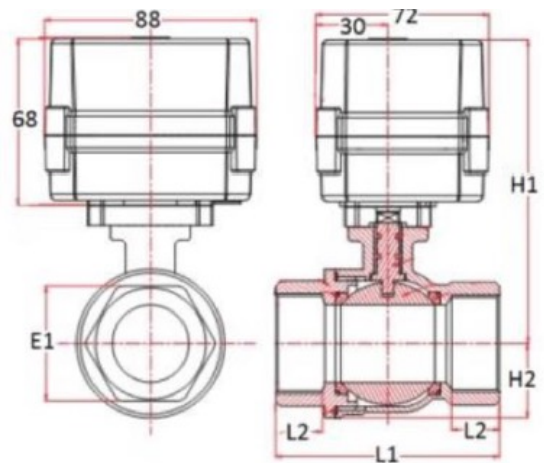
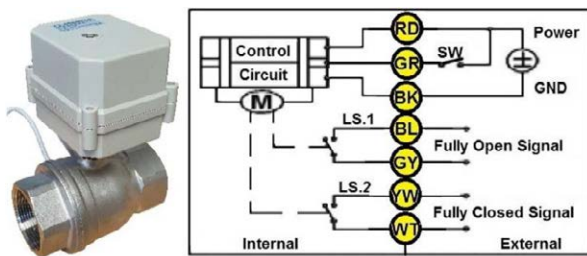


Port D1/D2	d	L1	L2	E1	H1	H2	Kg
1/2	15	63	14	25	83	17	0.4
3/4	20	72	17	31	87	20	0.5
1	25	81	18	38	95	24	0.6

Technical Data - Actuated Ball Valve

1 1/4" - 2" BSP

Position:	Normally Open
Loss of Power Failsafe Position:	Open
Connection Options:	1 1/4" 32mm BSP, 1 1/2" 40mm BSP, 2" 50mm, BSP
Operation Feed Back:	Visual Position Indicator
Maximum Pressure:	10 Bar
Minimum Pressure:	0 Bar
Voltage:	12V DC
IP Rating:	IP67
Electrical Connection:	0.5m Lead Wires
Connection to the Panel:	2 wire
Max Power Consumption Moving:	22 Watts
Operating Time:	5 Seconds
Seals:	PTFE
Duty Cycle:	70,000
Mounting Orientation:	Any
Ambient Temperature:	4°C - 50°C



Port	Bore	L1	L2	E1	H1	H2
1 1/4	32	102	23	47	122	31
1 1/2	40	115	25	54	130	36
2	50	130	25	66	138	45



A smarter and safer means to protecting lives and property from fire.

iCO Products is LPCB ISO 9001 accredited for the design, manufacture, assembly, and testing of residential fire suppression products.

Our patented fire suppression products are manufactured in the UK and sold through a network of accredited installers and distributors throughout the UK and overseas.

Patents granted: United Kingdom, USA, Australia, Europe
Patents pending: UAE

Contact us

@ enquiries@ico-products.com

🖱 ico-products.com

🏠 [@ico-products](https://www.linkedin.com/company/ico-products)

📍 iCO Products Ltd.
Unit 9
Cordwallis Business Park
Clivemont Road
Maidenhead
Berks
SL6 7BU



iCO Products is a member of the Fire Industry Association and an ISO 9001 registered company.

We reserve the right to update or modify any information. All values, information, images and illustrations in this brochure, data sheets and all other publications are exemplary and are subject to on-going changes and updates.

